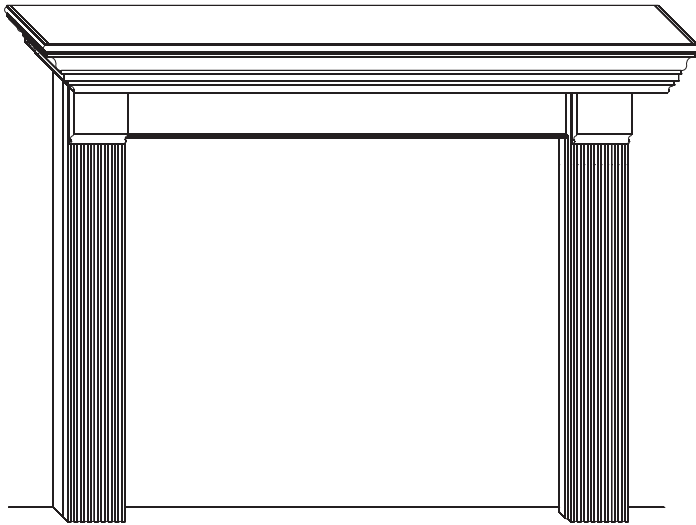


# INSTALLATION INSTRUCTIONS



## MANTEL SURROUNDS AND MANTEL SHELF

**COMBO UNIT**  
HWFMC-72UH-1

**SURROUNDS**  
HWFMS-48(UO,W)-1

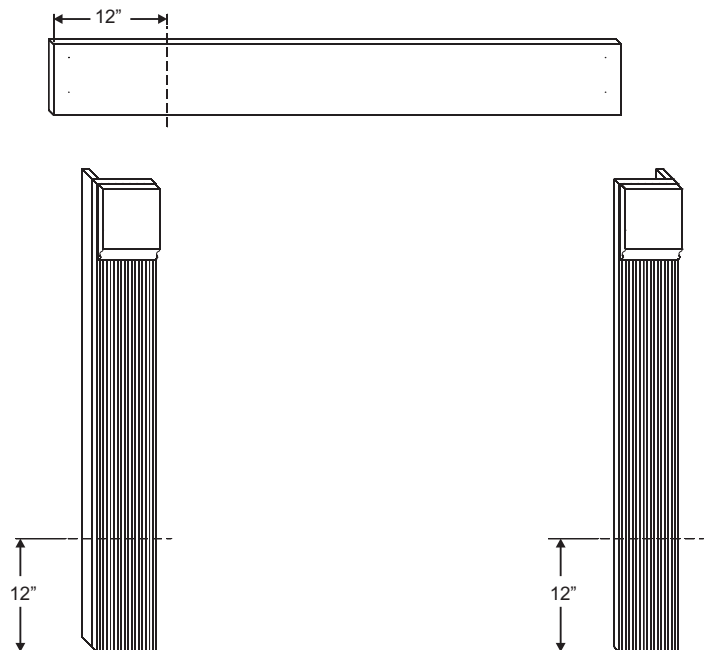
**MANTELSHELVES**  
HWMS-60(UO,W)-1  
HWMS-72(UO,W)-1

**INSTRUCTIONS MUST BE LEFT WITH OWNER FOR FUTURE REFERENCE AFTER INSTALLATION.**

**Recommended for use with most fireplaces from 32 to 42 inches wide and up to 38 inches tall. Reference your fireplace manufacturer's instructions for clearance to combustible requirements.**

### Mantel Modification Instructions

1. When modifying the surround (HWFMS48(UO,W)) to match the HWMS60(UO,W) mantelshelves, the cuts shown in Figure 1 give the best appearance. No modification is necessary for the HWFMC72.

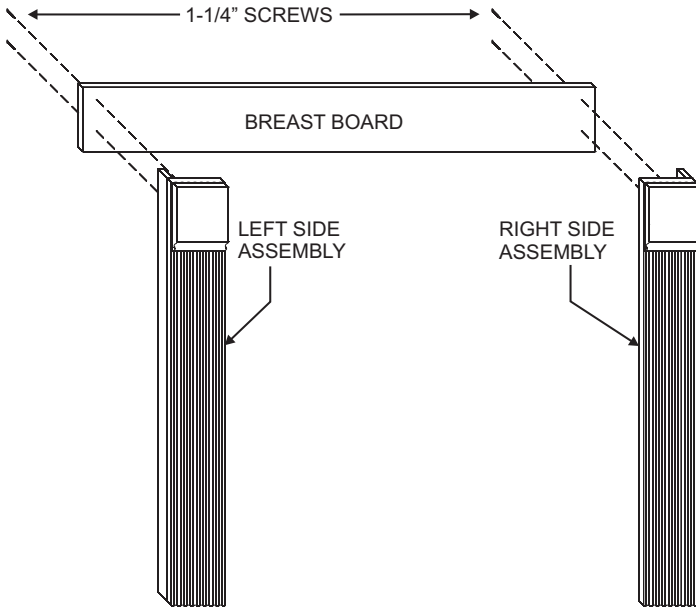


**Figure 1**

**Note:** Top and side trim will need to be cut to fit these modifications.

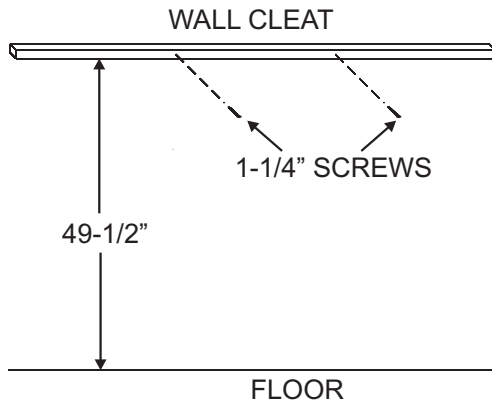
**Mantel Installation Instructions**

1. Align and attach the breast board to the right and left side assemblies. See Figure 2. Breast board ends should be flat against the inside edges of the side assemblies and flush at the top of the side assemblies. Use of a square is recommended to ensure a 90° installation.



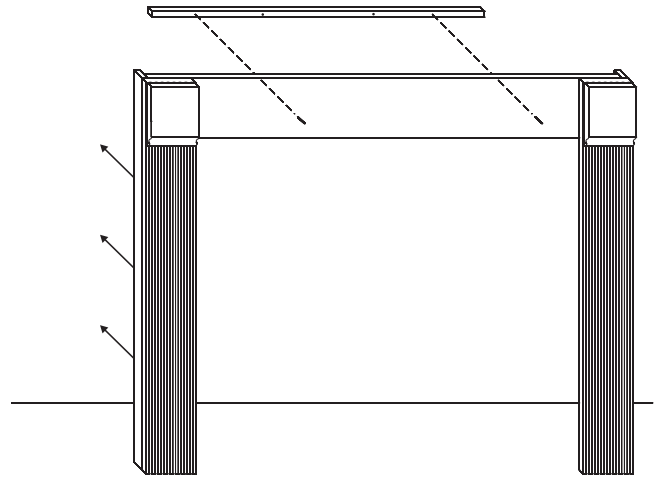
**Figure 2**

2. Attach the 42" wall cleat 49-1/2" above the floor. Ensure that the wall cleat is level. See Figure 3.



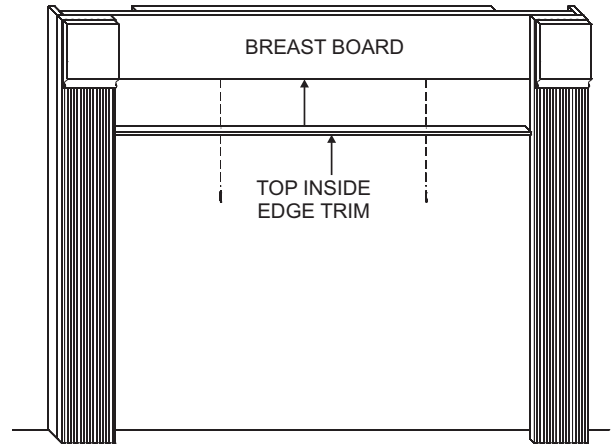
**Figure 3**

3. Attach the surround assembly to the wall cleat using two finishing nails through the breast board. See Figure 4.



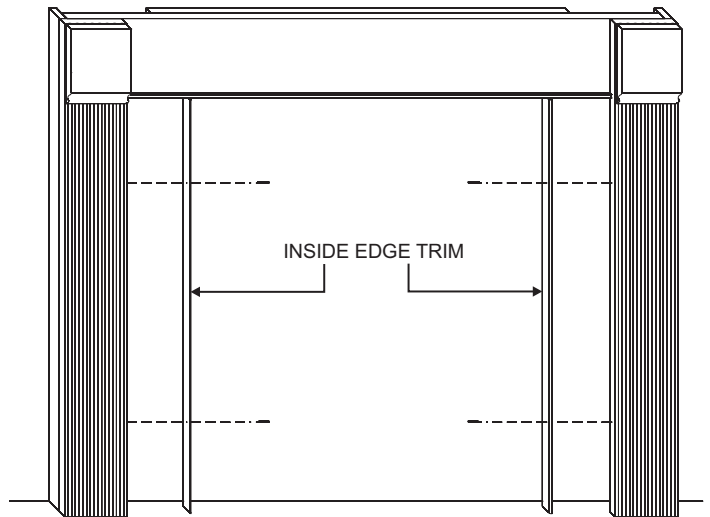
**Figure 4**

4. Attach the top inside edge trim to the bottom of the breast board using two finishing nails. See Figure 5.



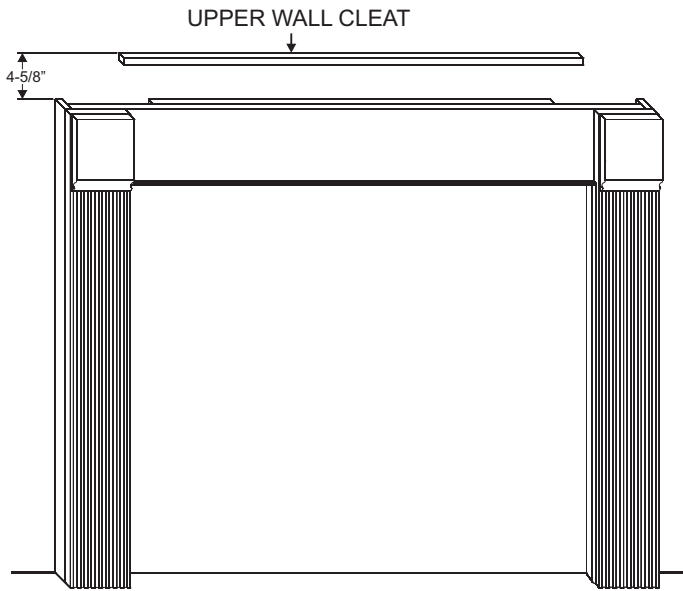
**Figure 5**

5. Attach the side inside edge trim to the left and right side assemblies using two finishing nails on each side. See Figure 6.



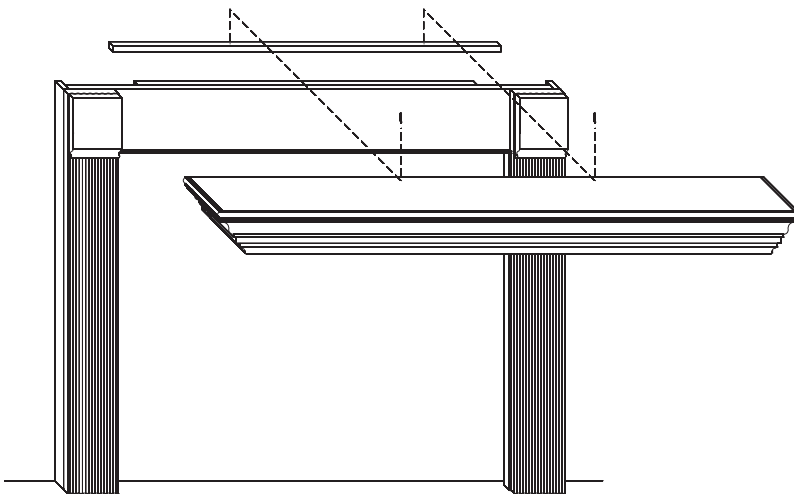
**Figure 6**

- Center and attach the 42" wall cleat 4-5/8" above the surround using two 1-1/4" drywall screws. See Figure 7.



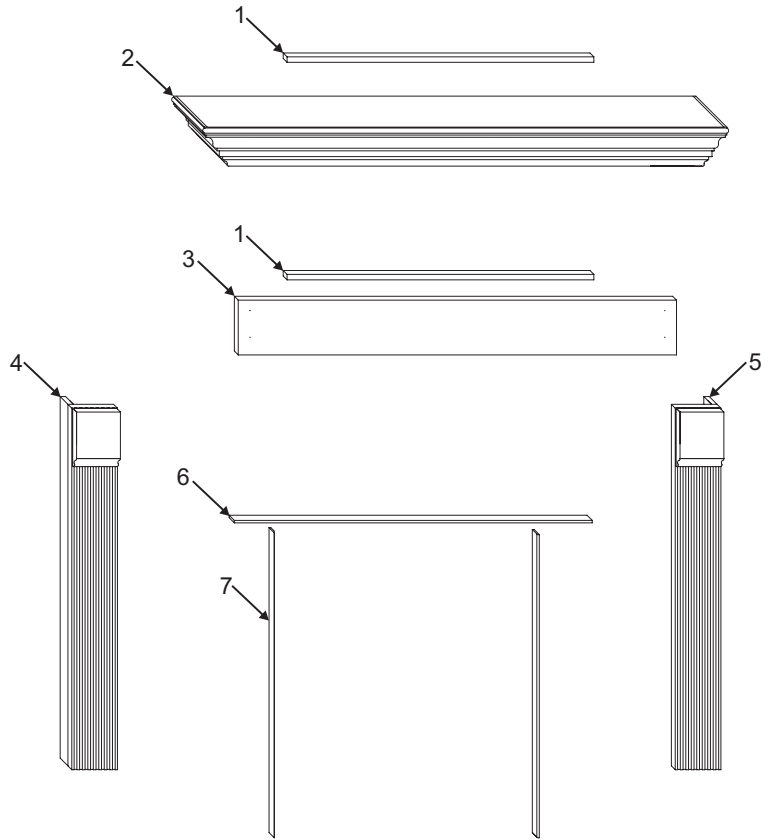
**Figure 7**

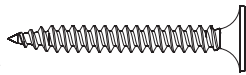
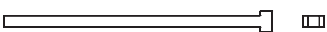
- Align and attach the mantelshelf to wall cleat using two finishing nails. If mounting HWMS(60,72)(UO,W) only, see the firebox manufacturer's instructions for clearance to combustible requirements. See Figure 8.



**Figure 8**

PARTS LIST			
Common			
Index No.	Part No.	Description	Quantity Supplied
1	M10577	Wall Cleat	2
UO Models			
2	M10547	Mantelshelf - 60"	1
2	M10539	Mantelshelf - 72"	1
3	M10557	Breast Board	1
4	M10565	Side Assembly - Left	1
5	M10558	Side Assembly - Right	1
6	M10568	Trim - Top	1
7	M10566	Trim - Side	2
UH Models			
2	18491	Mantelshelf - 72"	1
3	M10570	Breast Board	1
4	M10580	Side Assembly - Left	1
5	M10572	Side Assembly - Right	1
6	M10599	Trim - Top	1
7	M10597	Trim - Side	2
W Models			
2	M10596	Mantelshelf - 60"	1
2	M10545	Mantelshelf - 72"	1
3	M10601	Breast Board	1
4	M10579	Side Assembly - Left	1
5	M10571	Side Assembly - Right	1
6, 7	M10582	Trim Set	1



Hardware Packs		
Part Number	Models Used On	
M10536	HWFMC72UH and HWFMS48(UO,W)	
M10603	HWMS(60,72)(UO,W)	
Hardware included in packs	Quantity Included	
	M10536	M10603
1-1/4" Screw 	8	2
Finishing Nail 	10	2

# HOUSEWARMER

HOUSEWARMER is a registered trademark of  
 Empire Comfort Systems Inc.  
[www.housewarmerproducts.com](http://www.housewarmerproducts.com)



Manufactured by:  
 Empire Comfort Systems Inc.  
 918 Freeburg Ave. Belleville, IL 62220  
 PH: 877-459-1583  
 FAX: 877-459-0514